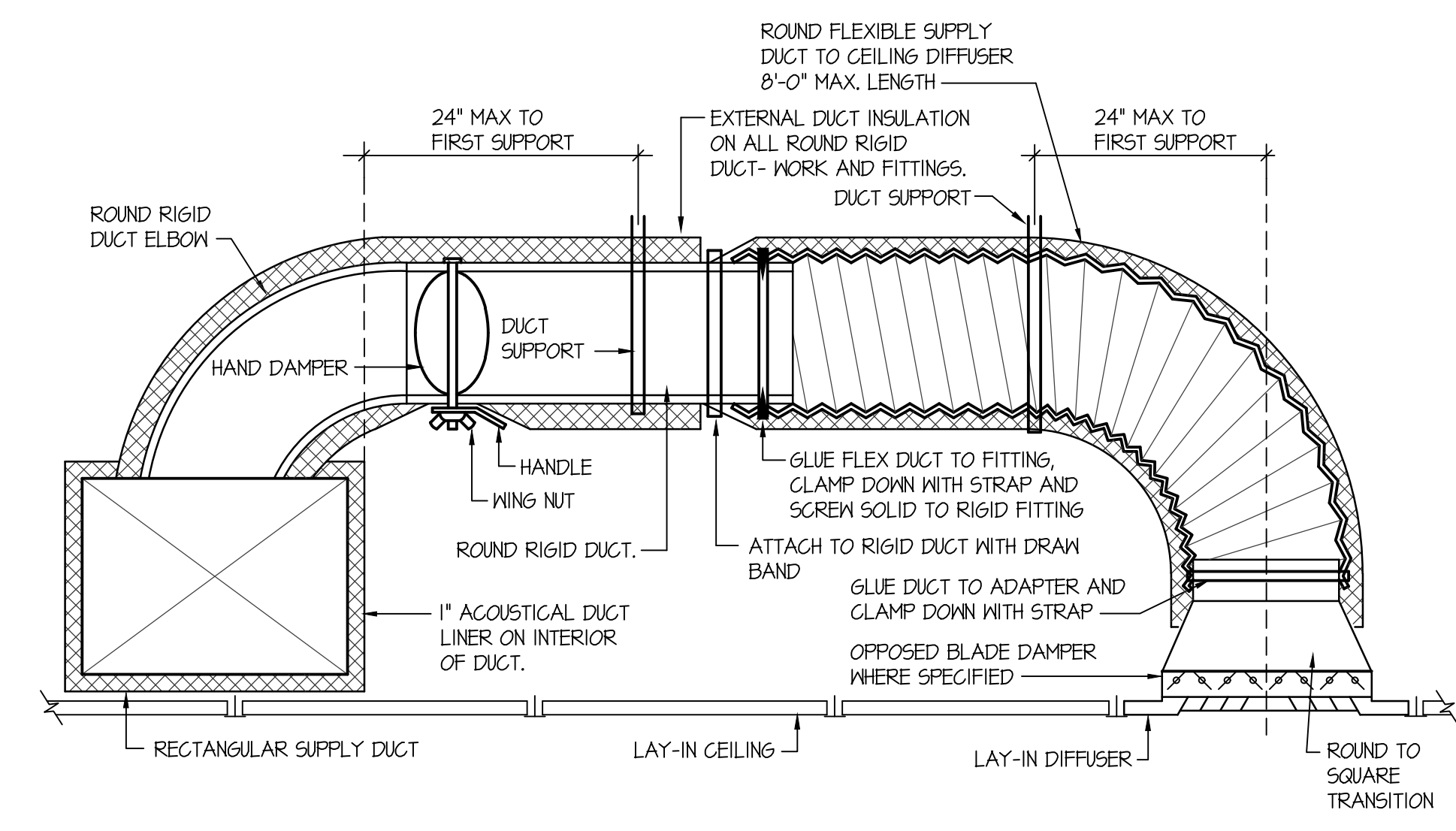


FLEXIBLE DUCT SUPPORT DETAIL
NO SCALE



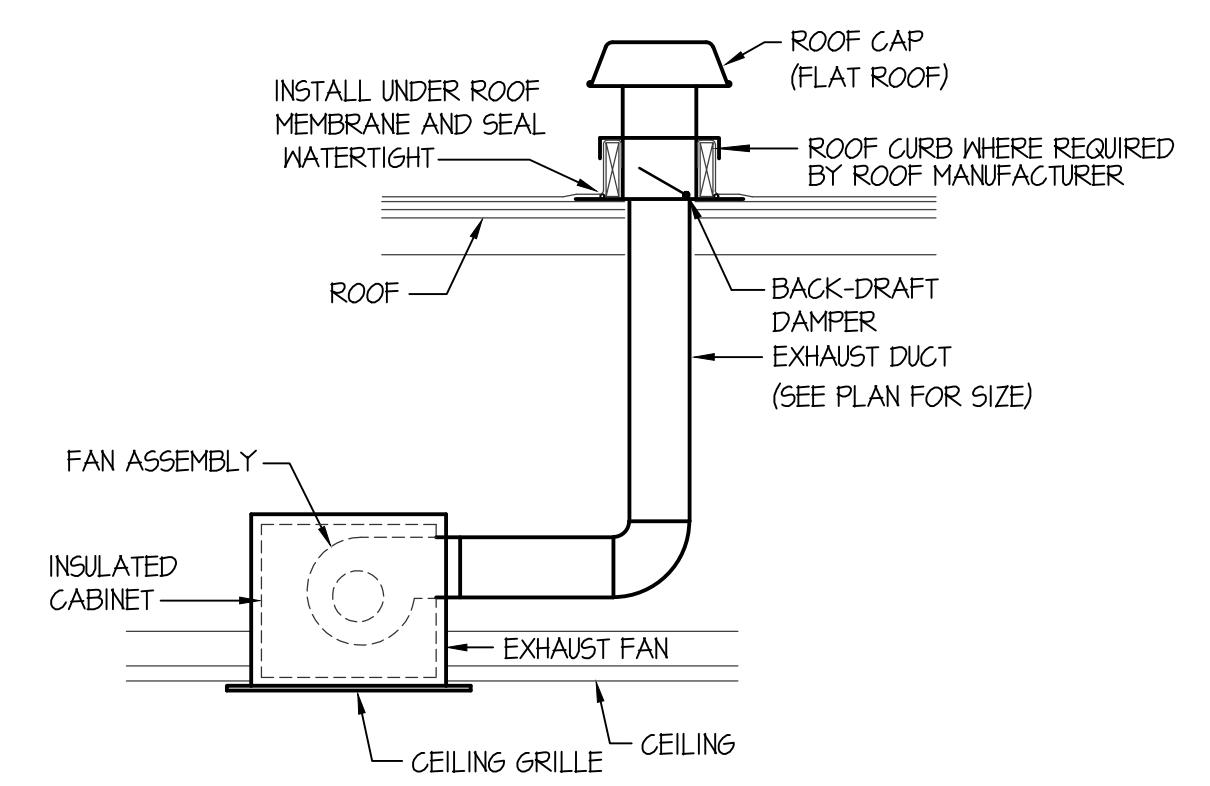
CEILING DIFFUSER DETAIL WITH FLEXIBLE DUCT
NO SCALE

GRILLE AND REGISTER SCHEDULE									
SYM.	TYPE	SIZE	CFM RANGE	THROW PATTERN	CONSTR.	FINISH	BALANCING DAMPER	FIRE DAMPER	REMARKS
D-1	CEILING	10"	200-275	NA	STEEL	WHITE	NA	NA	HARLEY COOLEY DPD IN 24x24 LAY-IN MODULE
D-2	CEILING	6"	50-100	NA	STEEL	WHITE	NA	NA	HARLEY COOLEY DPD WITH BEVELED FRAME
D-3	CEILING	12"	275-400	NA	STEEL	WHITE	NA	NA	HARLEY COOLEY DPD IN 24x24 LAY-IN MODULE
D-4	CEILING	8"	100-175	NA	STEEL	WHITE	NA	NA	HARLEY COOLEY DPD IN 24x24 LAY-IN MODULE
R-1	CEILING	8x8	50-150	NA	STEEL	WHITE	NA	NA	PRICE MODEL 535 IN 24x24 LAY-IN MODULE
R-2	CEILING	10x10	150-350	NA	STEEL	WHITE	NA	NA	PRICE MODEL 535 IN 24x24 LAY-IN MODULE
SNR-1	SIDEWALL REGISTER	10x6	140	NA	STEEL	WHITE	YES	NA	PRICE MODEL 520D AT 0 DEGREE DEFLECTION

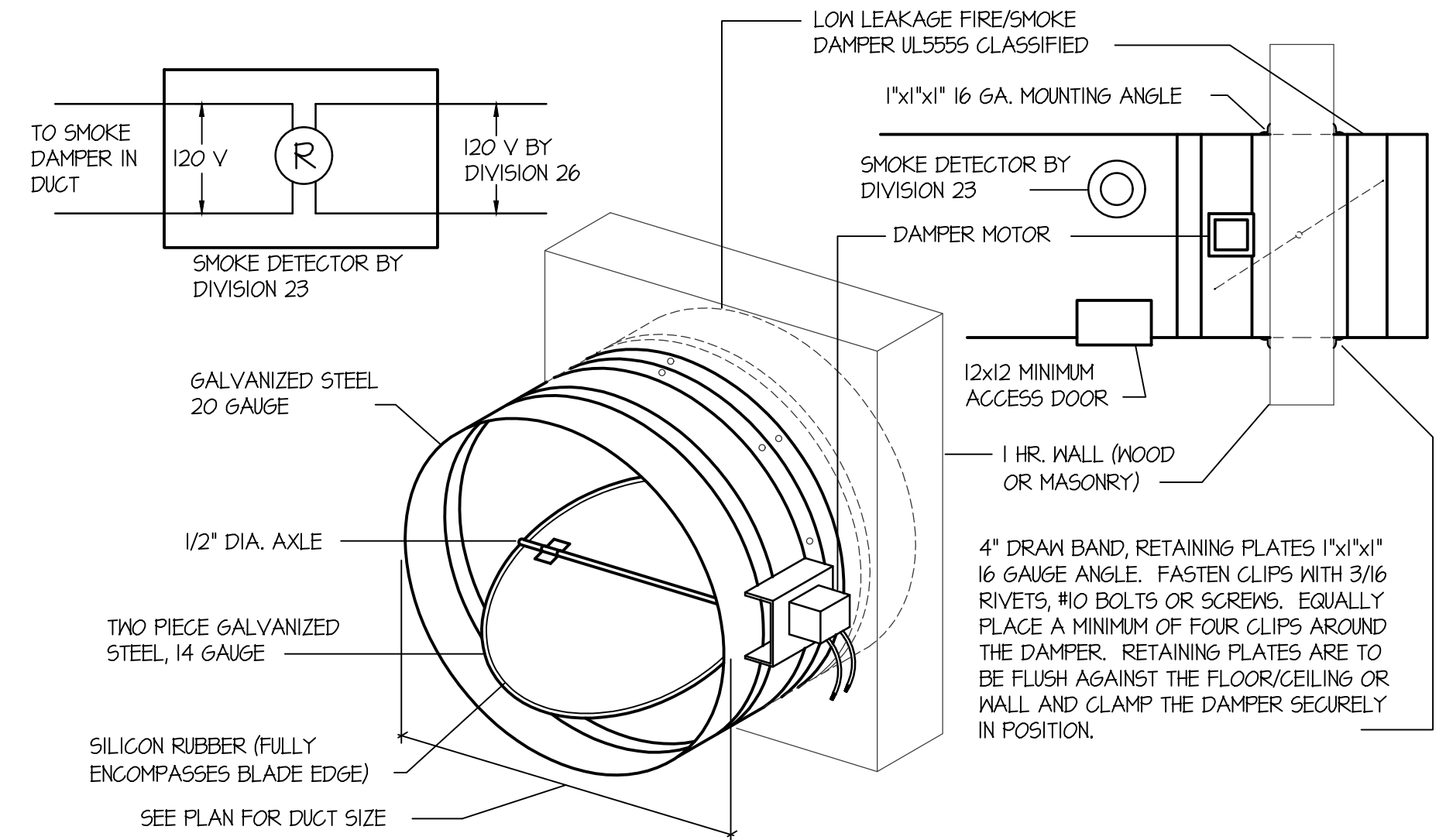
EXHAUST FAN SCHEDULE									
SYM.	TYPE	C.F.M.	S.P.E.	WATTS	CHAR.	R.P.M.	CONTROL	REMARKS	
EF	CEILING MOUNTED	200	.25	127	120/60/1	760	SEE ELEC.	TWIN CITY MODEL T200 WITH BACKDRAFT DAMPER. 8" EXHAUST DUCT TO SLOPED ROOF CAP.	

FAN COIL UNIT SCHEDULE (ELECTRIC)													
SYM.	TYPE	BLOWER SECTION	DX COOLING COIL	PIPING SIZES		HEAT PUMP		CHAR.		REMARKS			
		CFM	WATTS	MEH	EAT	LAT	LIQ	SUCT.	GD	BTU	CHAR	AMPS	
FCU	FAN COIL UNIT	400	30	9	75°F	55°F	1/4	3/8	3/4	11,000	120/60/1	1	MITSUBISHI MODEL MSZ-GLO9NA

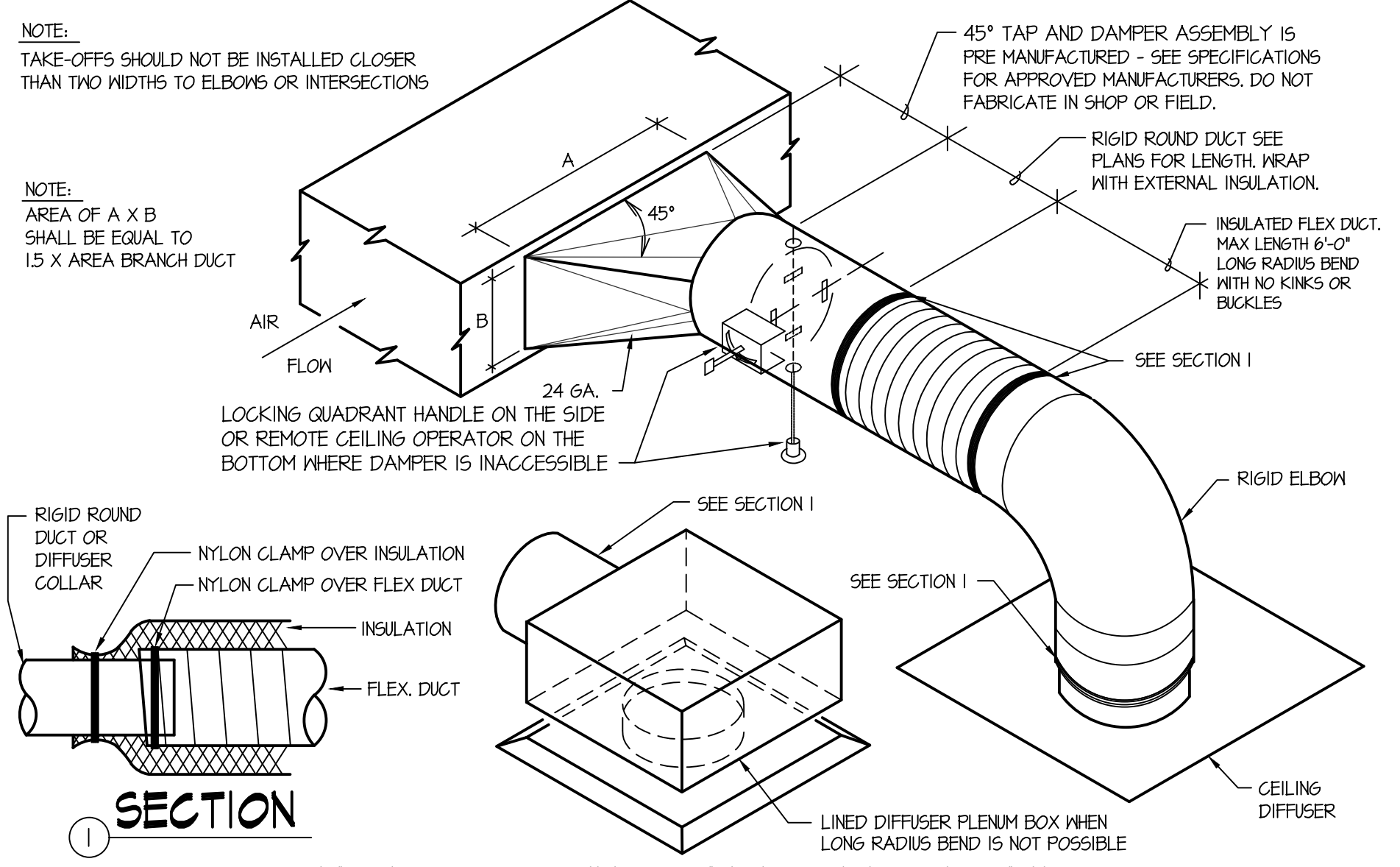
CONDENSING UNIT SCHEDULE									
SYM.	BTU	EAT	CHAR.	MCA	WEIGHT	REFRIGERANT PIPING		REMARKS	
						LIQUID	SUCTION		
CU	9,000	45°F	208/60/1	9	81 LB	1/4	3/8	MITSUBISHI MODEL MUZ-GLO9NA SEER 24.6	



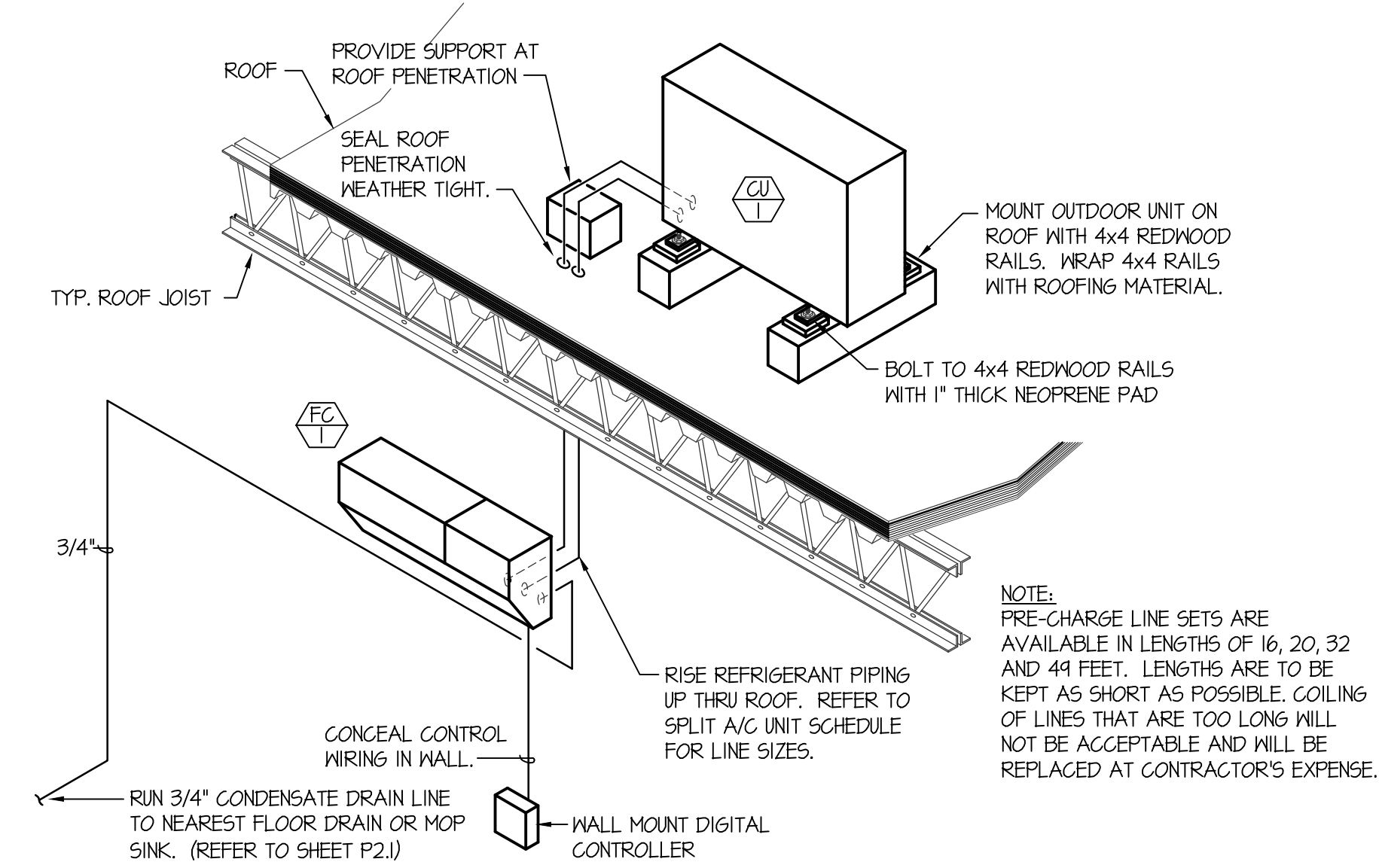
CEILING MOUNTED EXHAUST FAN DETAIL
NO SCALE



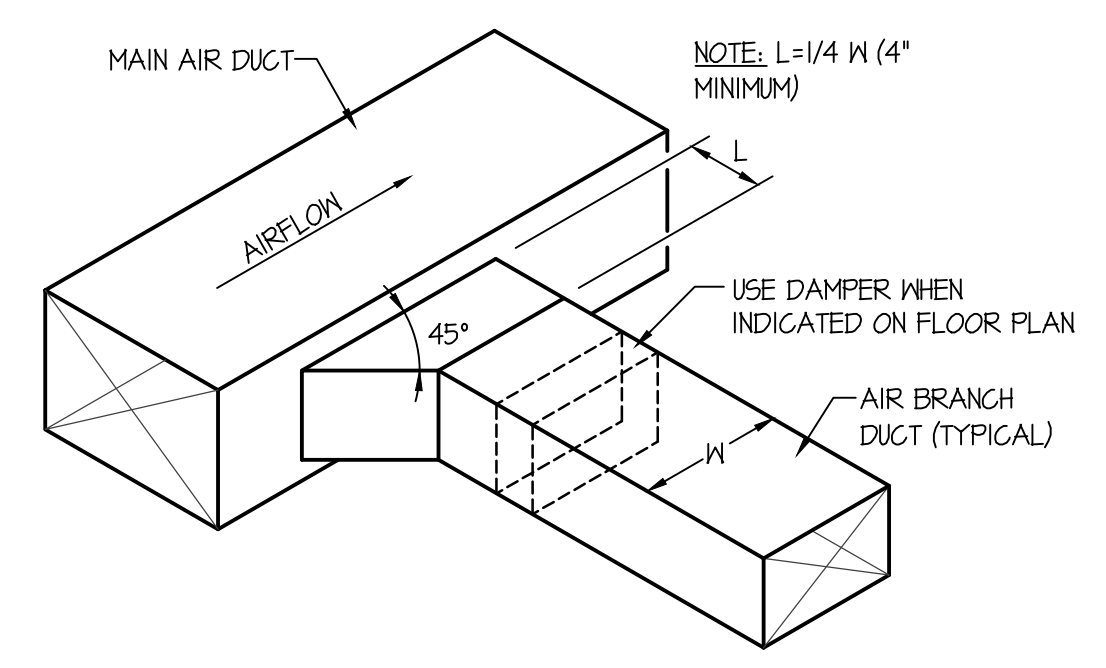
ROUND SMOKE-FIRE DAMPER DETAIL
NO SCALE



SQUARE TO ROUND TAKE-OFF DETAILS
NO SCALE



FAN COIL & REFRIGERANT PIPING DETAIL
NO SCALE



RECTANGULAR DUCT CONNECTION DETAIL
NO SCALE

- GENERAL NOTES:**
- A- THE CONTRACTOR SHALL CHECK AND VERIFY ALL DIMENSIONS AND CONNECTIONS ON THE JOB SITE. ALL WORK SHALL BE EXECUTED FROM MEASUREMENTS TAKEN AT THE SITE.
 - B- THE MECHANICAL CONTRACTOR SHALL BE RESPONSIBLE TO INSURE PROPER CODE CLEARANCES FOR ELECTRICAL AND MECHANICAL ACCESS WHEN INSTALLING ANY EQUIPMENT SUPPLIED BY THE MECHANICAL CONTRACTOR.
 - C- IT IS CRITICAL THAT THIS CONTRACTOR COORDINATE EQUIPMENT LOCATIONS WITH PIPING, DUCTWORK, ELECTRICAL CONDUIT AND BUILDING STRUCTURE TO INSURE CODE COMPLIANCE.
 - D- CEILING DIFFUSERS ARE SHOWN IN APPROXIMATE LOCATIONS. REFER TO LIGHTING PLANS AND REFLECTED CEILING PLAN FOR EXACT LOCATIONS.
 - E- DUCT DIMENSIONS CALLED OUT ON DRAWINGS ARE INSIDE FREE AREA DIMENSIONS. ACOUSTICAL DUCT LINER ARE TO BE ADDED TO OVERALL MEASUREMENTS.
 - F- ALL DUCTWORK AND PIPING WHICH PASSES THRU FIRE RATED WALLS TO BE FIRE STOPPED WITH APPROVED FOAM OR SEALANT. REFER TO SPECIFICATIONS FOR APPROVED MANUFACTURERS.

MECHANICAL LEGEND	
SYMBOL	DESCRIPTION
Ⓢ	ELECTRONIC THERMOSTAT
Ⓜ	EQUIPMENT SYMBOL
HD	HAND DAMPER
RB	ROUND BRANCH DUCT WITH HAND DAMPER
IFD	INSULATED FLEXIBLE DUCT
RA	RETURN AIR OR EXHAUST GRILLE
CD	CEILING DIFFUSER

Engineered Systems Associates
1355 EAST CENTER
POCATELLO, IDAHO 83201
PHONE: (208) 233-0501
FAX: (208) 233-0529
EMAIL: esa@engsystems.com
ESA JOB NUMBER: 19010

Professional Engineer
No. 322307
DWAYNE C. SUDWECKS
STATE OF UTAH

MOUNTAIN WEST ARCHITECTURE

PROJECT: **New Tenant Improvement For: KIER MANAGEMENT BUILDING**
1012 CHAMBERS STREET,
SOUTH OGDEN, UTAH 84403

PROJECT: CH-078-KIER MANAGEMENT

SHEET TITLE: **MECHANICAL DETAILS & SCHEDULES**

SHEET NUMBER: **M102**

DO NOT SCALE DRAWING

TENANT IMPROVEMENT SET